



Accutrak 3400 Series

Grilamid (3400) EExme Encapsulation / Increased Safety

Technical Information

What is Encapsulation / Increased Safety?

Encapsulation / increased safety equipment refers to an apparatus certified to ATEX Standards which is designed so that the components capable of igniting an explosive atmosphere by either sparking or heating are enclosed in a compound in such a way as to prevent the possibility of ignition. The encapsulation protection is additionally combined with increased measures to prevent any possibility of excessive heat, arcs or sparks, igniting the surrounding flammable gasses or combustible materials.

Certified Options Available

- Grilamid, Anodised Aluminium or Stainless Steel Enclosure material
- Beacon or Flat Cover
- Standard Height - Black / Yellow, Red / White, Blue / White, Green / White, 3 Way Flow Path Beacon Indicators, Various Languages
- Low Profile - Black / Yellow, Red / White, Blue / White, Green / White
- M20, M25, 1/2"NPT, 3/4"NPT Conduit Entry Options
- 2 or 3 Position Conduit Entries
- 1, 2 or 3 x Magnum XT90 Hermetically Sealed Proximity SPDT Contacts
- Namur or Westlock Standard Shaft
- Terminal Strips - Grey Bosha

Technical Specifications

● ENCLOSURE

Grilamid

| | |
|-----------------------------------|------------------|
| Material Specification | Nylon 12 TR90-UV |
| Finish | Natural |
| Enclosure Temperature (Operating) | -20°C to +85°C |
| Certification Ambient | -20°C to +55°C |

● BEACON INDICATOR

| | |
|------------------------|-------------------|
| Material Specification | Ektar Copolyester |
| Temperature Limits | -40°C to +85°C |

● SHAFT

| | |
|------------------------|--------------------------------|
| Material Specification | 303 Stainless Steel (STD) |
| | 316 Stainless Steel (Optional) |

● SENSORS/SWITCHES

| | |
|---------------------------------|----------------------------------|
| Magnum XT90 Hermetically Sealed | Electrical Rating (SPDT): |
| | 3amps / 120VAC |
| | 1.5amps / 240VAC |
| | 2amps / 24VDC |
| | Operating Temperature: |
| | -29°C to +93°C |
| | Hysteresis: |
| | 6% |

● TERMINAL STRIP

| | |
|------------------------|----------------------------|
| Type | Bosha KL Type |
| Material Specification | Polybutylene-terephthalate |
| Nominal Cross Section | 1.5mm ² |
| Rated Voltage | 380V |

● O-RINGS / GASKETS

| | |
|------------------------|--------|
| Material Specification | Buna N |
|------------------------|--------|

● CIRCLIPS & FASTENERS

| | |
|------------------------|-----------------|
| Material Specification | Stainless Steel |
|------------------------|-----------------|



● **CERTIFICATION APPLICABLE**

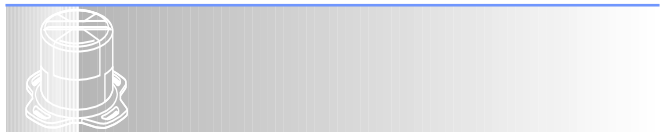


| | |
|---------------------|-----------------------------------|
| Certificate Number: | DEMKO 03ATEX 135109X |
| Approval Detail: | Ex II 2 G 3 D T80°C – EExme II T6 |
| Ambient Temperature | -20°C ≤ Tamb ≤ 55°C |

● **NORTH AMERICAN EQUIVALENT UNITS**

| | |
|---------------|---------------------------|
| Model Numbers | Nonincendive – 9358, 9468 |
|---------------|---------------------------|

WESTLOCK
CONTROLS LIMITED

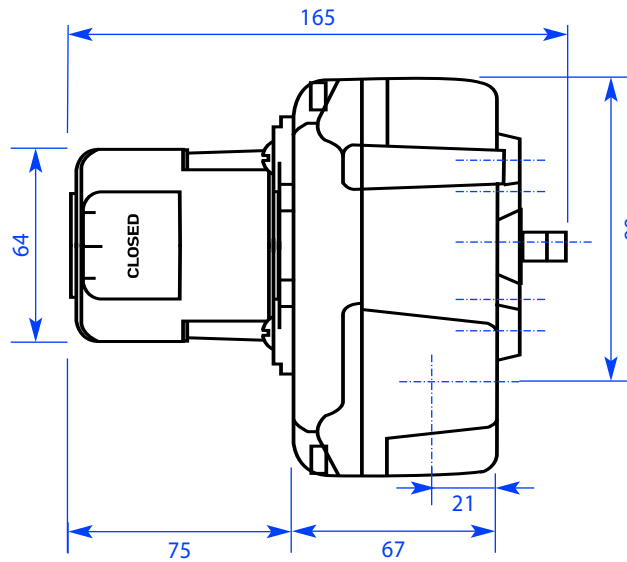
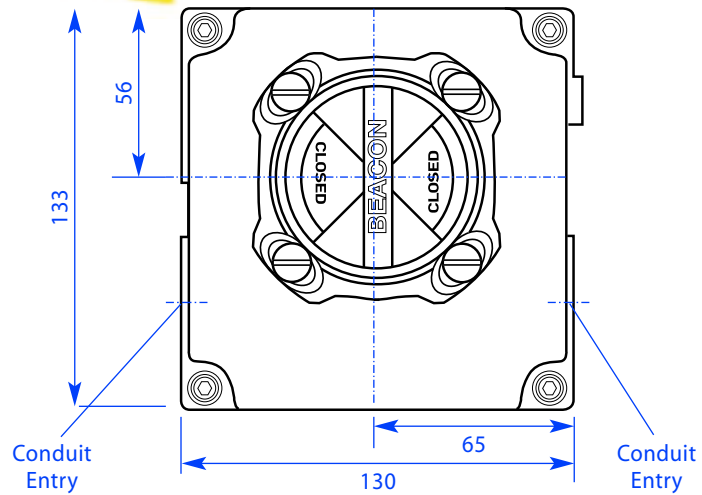


22 Chapman Way, Tunbridge Wells, Kent, England TN2 3EF
Tel: +44 (0) 1892 516277
Fax: +44 (0) 1892 516279
Email: sales@westlockuk.com
www.westlockuk.com

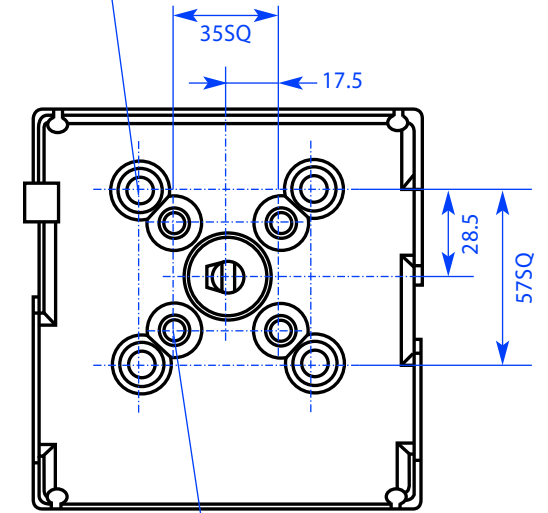
Accutrak 3400 Series

Grilamid (3400) EExme Encapsulation / Increased Safety

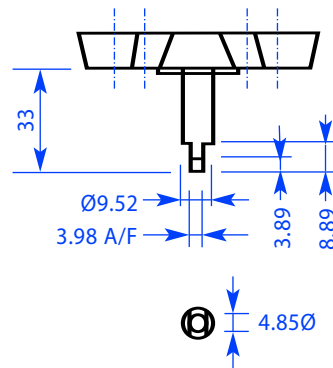
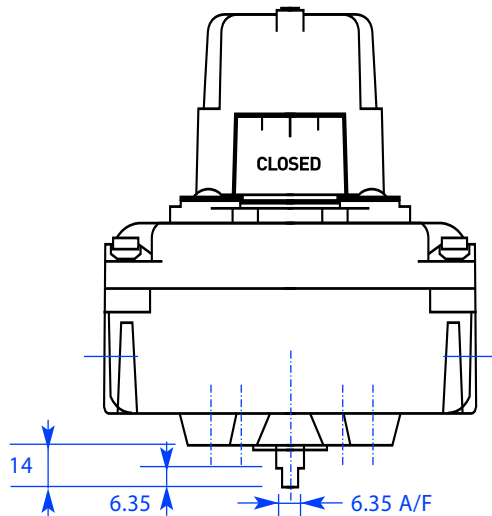
Dimensions



4 Holes tapped
MB x 1.25 x 12.5Dp
Stainless Steel Moulded inserts



4 Holes tapped
M6 x 1.0 x 9.5Dp
Stainless Steel Moulded inserts



Namur Shaft Details

WESTLOCK

CONTROLS LIMITED



22 Chapman Way, Tunbridge Wells, Kent, England TN2 3EF
Tel: +44 (0) 1892 516277
Fax: +44 (0) 1892 516279
Email: sales@westlockuk.com
www.westlockuk.com