



# Accutrak 3000 Series

Zytel Resin Non Hazardous/  
EExia Intrinsically Safe

## Technical Information

High performance polyamide resins, offer a viable alternative to metal enclosures for applications where caustics wash downs, chloride atmospheres and salt water environments are a daily occurrence. The Accutrak 3000 Series combines chemical resistance with high impact strength and immunity to weathering. Unaffected by electrolytic corrosion and high concentrates of alkalis, the 3000 Series is remarkably resistant to attack from bacteria and fungi; a feature especially important in food and beverage processing plants.

### Certified Options Available

- Beacon or Flat Covers
- Standard Height - Black / Yellow, Red / White, Blue / White, Green / White, 3 Way Flow Path Beacon Indicators, Various Languages
- Low Profile – Black / Yellow, Red / White, Blue / White, Green / White
- M20, M25, 3/4"NPT Conduit Entry Options
- 2 Position Conduit Entries
- 1 or 2 x V3 Mechanical Switches SPDT Contacts
- 1 or 2 DPDT Mechanical Switches
- 1 or 2 x V3 Inductive Proximity Sensors
- 1 or 2 x Magnum XT90 Hermetically Sealed Proximity SPDT Contacts
- Namur or Westlock Standard Shaft
- Terminal Strips – Weeco or Klippon

### Technical Specifications

#### ● ENCLOSURE

Material Specification	Zytel Glass Filled Nylon 6
Finish	Natural
Enclosure Temperature (Operating)	-20°C to +85°C

#### ● BEACON INDICATOR

Material Specification	Ektar Copolyester
Temperature Limits	-40°C to +82°C

#### ● SHAFT

Material Specification	303 Stainless Steel or optional 316 Stainless Steel
------------------------	---

#### ● SENSORS/SWITCHES

- V3 Mechanical Switches SPDT

#### Electrical Rating (SPDT):

15amps / 125/250VAC

.5amps / 125VDC

6amps / 24VDC

.25amps / 250VDC

5amps / 125VAC

#### Operating Temperature:

-25°C to +148°C

#### Hysteresis:

3%

- DPDT Mechanical Switch

#### Electrical Rating (DPDT):

10amps / 125VAC

10amps / 250VAC

#### Operating Temperature:

-25°C to +148°C

#### Hysteresis:

5%

- Pepperl & Fuchs (NJ2-V3-N)

#### Input Voltage Range:

5 – 25VDC

#### Output / Current Consumption:

≥1Ma - ≤3ma

#### Nominal Voltage:

8VDC

#### Switching Frequency:

1 KHz

#### Operating Temperature:

-25°C to +100°C

#### Hysteresis:

1%



– Magnum XT90 Hermetically Sealed	<b>Electrical Rating:</b>
	3amps / 120VAC
	1.5amps / 240VAC
	2amps / 24VDC
	<b>Operating Temperature:</b>
	-29°C to +93°C
	<b>Hysteresis:</b>
	6%

**● TERMINAL STRIP**


– Type	WECO Series 300 type 302
– Material Specification	Polymide
– Nominal Cross Section	1.5mm <sup>2</sup>
– Wire Tripping Length	5mm

**● O-RINGS/GASKETS**

– Material Specification	Buna N
--------------------------	--------

**● CIRCLIPS & FASTENERS**

– Material Specification	Stainless Steel
--------------------------	-----------------

**● CERTIFICATION APPLICABLE** 

Certificate Number:	TBA	
Approval Detail:	3047	Ex II 2 G 3D EExia IIC T6
	3049	Ex II 2 G 3D EExia IIC T6
	3045	Ex II 2 G 3D EExia IIC T6

**● NORTH AMERICAN EQUIVALENT UNITS**

Model Numbers	1040, 1065
---------------	------------

# WESTLOCK

CONTROLS LIMITED

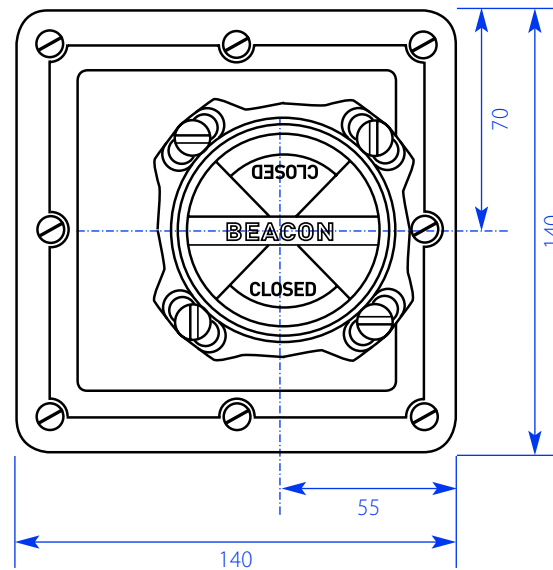
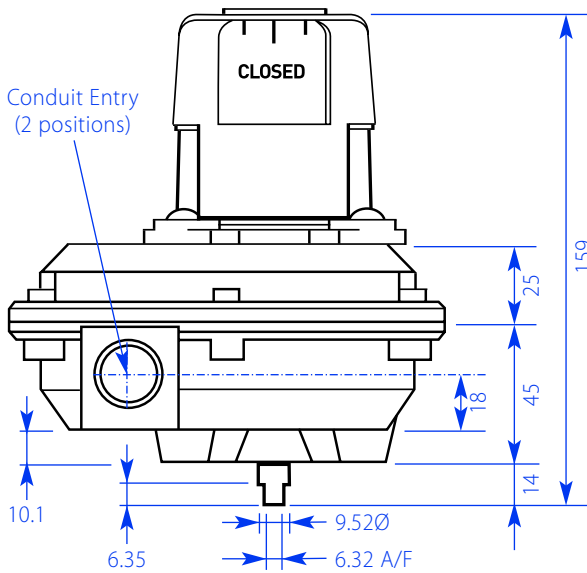


22 Chapman Way, Tunbridge Wells, Kent, England TN2 3EF  
 Tel: **+44 (0) 1892 516277**  
 Fax: **+44 (0) 1892 516279**  
 Email: [sales@westlockuk.com](mailto:sales@westlockuk.com)  
[www.westlockuk.com](http://www.westlockuk.com)

# Accutrak 3000 Series

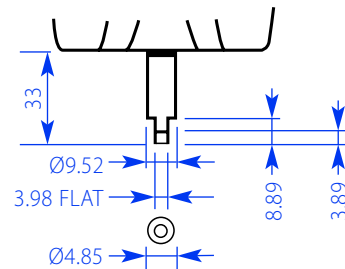
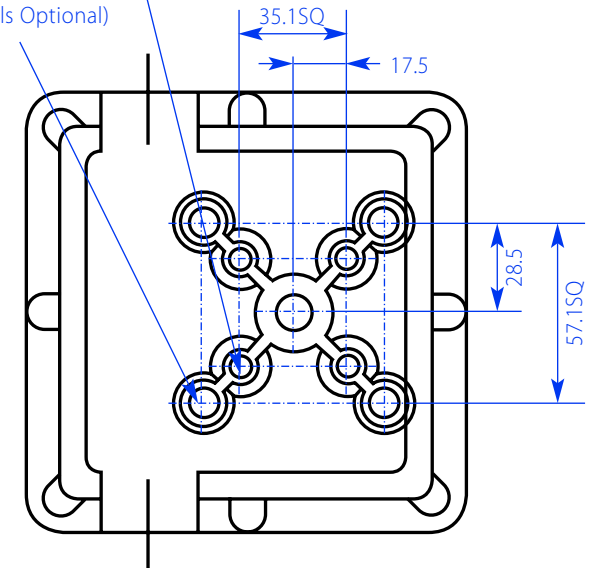
Zytel Resin Non Hazardous/  
EExia Intrinsically Safe

## Dimensions



M6 x 1.0 Pitch  
(4 bosses)  
(Helicoils Optional)

M8 x 1.25 Pitch  
(4 bosses)  
(Helicoils Optional)



Namur Shaft Details

**WESTLOCK**  
CONTROLS LIMITED



22 Chapman Way, Tunbridge Wells, Kent, England TN2 3EF  
Tel: **+44 (0) 1892 516277**  
Fax: **+44 (0) 1892 516279**  
Email: [sales@westlockuk.com](mailto:sales@westlockuk.com)  
[www.westlockuk.com](http://www.westlockuk.com)