



Accutrak 2800 Series

Aluminium EExd IIC Explosionproof

Technical Information

The Westlock Linear Accutrak 2800 Series is specifically engineered to meet hazardous area categories for use in the Monitoring of Linear Valves. Certified to ATEX Standard, the unit has the flexibility to satisfy a wide range of diverse requirements.

Designed with a clear-sighted concept of true monitoring proficiency, each component is engineered to safely interact with every other control element. The high-current hermetically sealed sensors are manufactured of 316 Stainless Steel. The EExd IIC Hazardous Location enclosure is supported by ATEX Certification. The optional Falcon Solenoid (See Quantum 2800 Series) is an integral part of the unit and the certification.

Certified Options Available

- Optional 316L Stainless Steel Enclosure
- M20, M25, ¾" NPT Conduit Entry Options
- 1, 2 or 3 Position Conduit Entries
- 0, 1, 2, 3, or 4 x Magnum Barrel Hermetically Sealed Proximity SPDT Contacts
- Terminal Strips – Weco

Technical Specifications

● ENCLOSURE

Material Specification	A360 (0.2% Copper Max) LM9
Finish	Irridited with Two Pack Polyurethane Enamel
Enclosure Temperature (Operating)	-40°C to +82°C
Certification Ambient	-20°C to +40° C

● SENSORS/SWITCHES

- Magnum Barrel Hermetically Sealed

Electrical Rating:

3amps / 120VAC
1.5amps / 240VAC
2amps / 24VDC

Operating Temperature:

-29°C to +93°C

Hysteresis:

6%

● TERMINAL STRIP

- Type	WECO Series 300 type 302
- Material Specification	Polymide
- Nominal Cross Section	1.5mm ²
- Wire Tripping Length	5mm

● CERTIFICATION APPLICABLE



Certificate Number:	DEMKO 03 ATEX 135478X		
Approval Detail:	2869	Ex II 2 G D EExd IIC	T6
	2860	Ex II 2 G D EExd IIC	T6

● NORTH AMERICAN EQUIVALENT UNITS

Model Numbers	3479
---------------	------

WESTLOCK

CONTROLS LIMITED

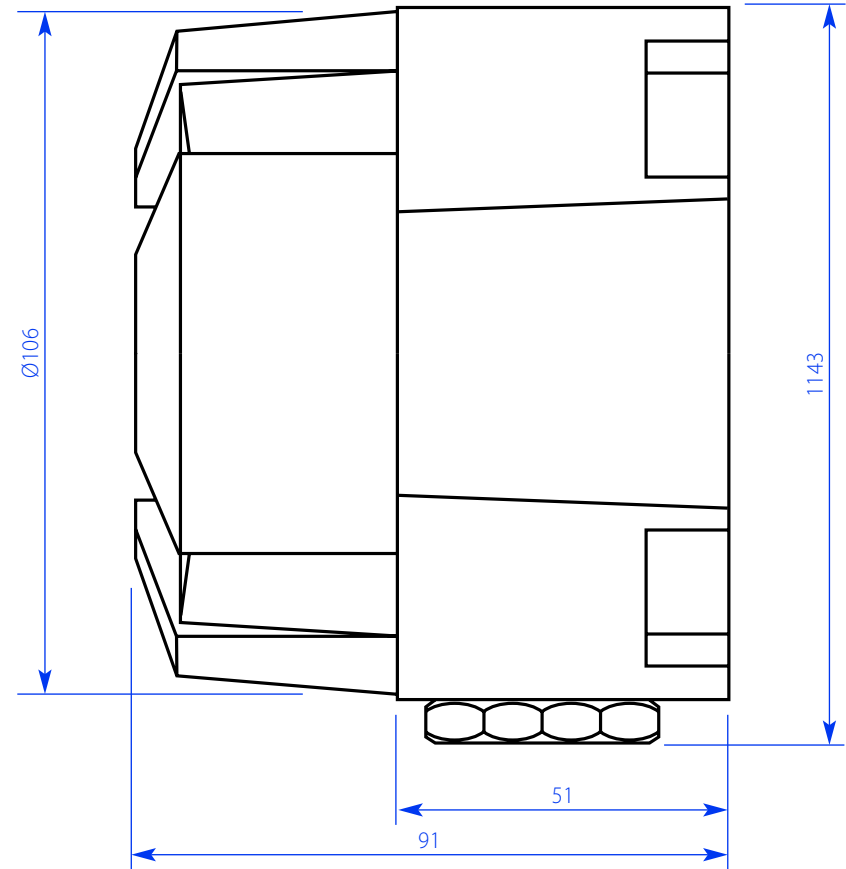
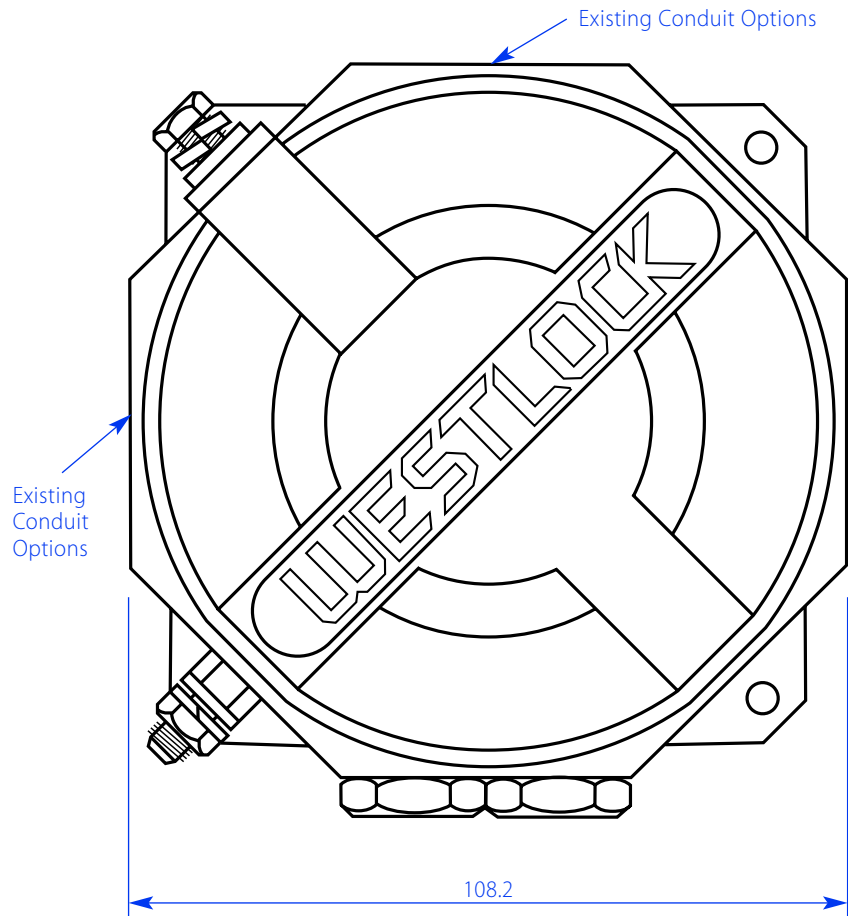


22 Chapman Way, Tunbridge Wells, Kent, England TN2 3EF
 Tel: +44 (0) 1892 516277
 Fax: +44 (0) 1892 516279
 Email: sales@westlockuk.com
 www.westlockuk.com

Accutrak 2800 Series

Aluminium EExd IIC Explosionproof

Dimensions



WESTLOCK
CONTROLS LIMITED



22 Chapman Way, Tunbridge Wells, Kent, England TN2 3EF
Tel: **+44 (0) 1892 516277**
Fax: **+44 (0) 1892 516279**
Email: sales@westlockuk.com
www.westlockuk.com