

Accutrak 2600 Series

Aluminium EExd IIC Explosionproof



Technical Information

The Westlock Accutrak 2600 Series is specifically engineered to meet hazardous area categories and gas groups. Certified to ATEX Standard, the unit has the flexibility to satisfy a wide range of diverse requirements.

Employing standard Westlock design features such as Beacon Visual Indication, Touch Set Cams and pre-wired components, the 2600 Series is available with a wide range of sensing options. The standard Aluminium enclosure contains 0.2% Copper and can be used in possible harsh environments. However, a fully 316L Stainless Steel alternate enclosure is also available meeting the same Hazardous Area approvals.

Certified Options Available

- Optional 316L Stainless Steel Enclosure
- Beacon Indicator options of; - Black / Yellow, Red / White, Blue / White, Green / White, 3 Way Flow Path Beacon Indicators, Various Languages
- M20, M25, 3/4"NPT Conduit Entry Options
- 2 or 3 Position Conduit Entries
- 1, 2, 3 or 4 x V3 Mechanical Switches SPDT Contacts
- 1, or 2 x DPDT Mechanical Switches
- 1, 2, 3 or 4 x V3 Inductive Proximity Sensors
- 1, 2, 3, or 4 x Magnum XT90 Hermetically Sealed Proximity SPDT Contacts
- Various other types of Switches and Sensors dependent on size – Please check with Office
- Namur or Westlock Standard Shaft
- Terminal Strips – Weco, Klippon, Kulka or Bosha
- 4-20Ma Transmitter for Position Feedback (CS)
- 10K Ohm Potentiometer for Resistive Signal (RS)

Technical Specifications

● ENCLOSURE

Material Specification	A360 (0.2% Copper Max) LM9
Finish	Irridited with Two Pack Polyurethane Enamel – Type F63 B13
Enclosure Temperature (Operating)	-40°C to +82°C
Certification Ambient	-20°C to +40°C

● BEACON INDICATOR

Material Specification	Ektar Copolyester
Temperature Limits	-40°C to +82°C

● SHAFT

Material Specification	303 Stainless Steel or optional 316 Stainless Steel
------------------------	--

● SENSORS/SWITCHES

– V3 Mechanical Switches SPDT

Electrical Rating (SPDT):

15amps / 125/250VAC

.5amps / 125VDC

6amps / 24VDC

.25amps / 250VDC

5amps / 125VAC

Operating Temperature:

-25°C to +148°C

Hysteresis:

3%

– DPDT Mechanical Switch

Electrical Rating (DPDT):

10amps / 125VAC

10amps / 250VAC

Operating Temperature:

-25°C to +148°C

Hysteresis:

5%

– Pepperl & Fuchs (NJ2-V3-N)

Input Voltage Range:

5 – 25VDC



Output / Current Consumption:

≥1Ma - ≤3ma

Nominal Voltage:

8VDC

Switching Frequency:

1 KHz

Operating Temperature:

-25°C to +100°C

Hysteresis:

1%

- Magnum XT90 Hermetically Sealed

Electrical Rating:

3amps / 120VAC

1.5amps / 240VAC

2amps / 24VDC

Operating Temperature:

-29°C to +93°C

Hysteresis:

6%

● TERMINAL STRIP

- Type	WECO Series 300 type 302
- Material Specification	Polymide
- Nominal Cross Section	1.5mm ²
- Wire Tripping Length	5mm

● O-RINGS/GASKETS

- Material Specification	Buna N
--------------------------	--------

● CIRCLIPS & FASTENERS

- Material Specification	Stainless Steel
--------------------------	-----------------

● CERTIFICATION APPLICABLE



Certificate Number:	DEMKO 02 ATEX 133514X		
Approval Detail:	2645/2665	Ex II 2 G D EExd IIC	T5
	2646/2666	Ex II 2 G D EExd IIC	T5
	2647/2667	Ex II 2 G D EExd IIC	T6
Ambient Temperature:	2649/2669	Ex II 2 G D EExd IIC	T6
	2645/2665	-20°C to +80°C	T3
	2649/2669	-20°C to +80°C	T4

● NORTH AMERICAN EQUIVALENT UNITS

Model Numbers	360, 366
---------------	----------

WESTLOCK
CONTROLS LIMITED

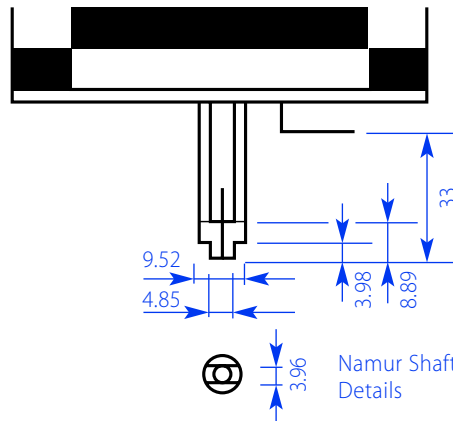
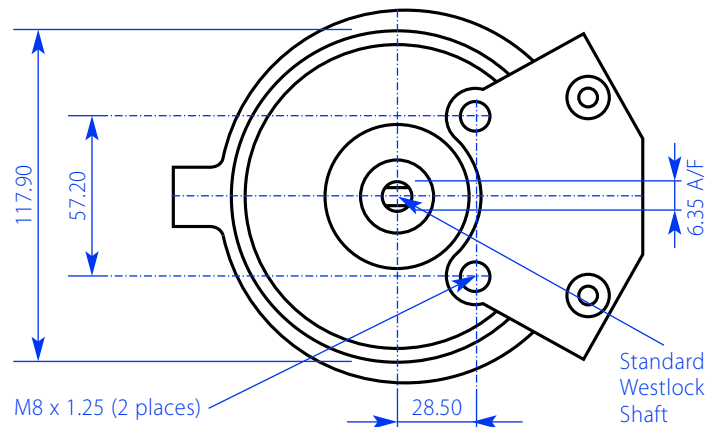
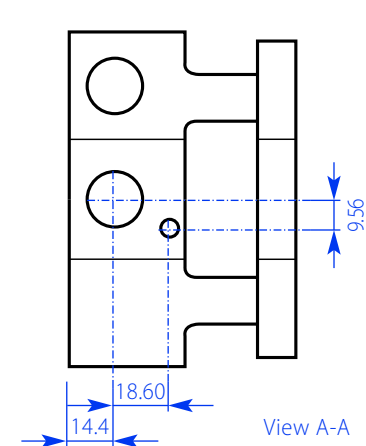
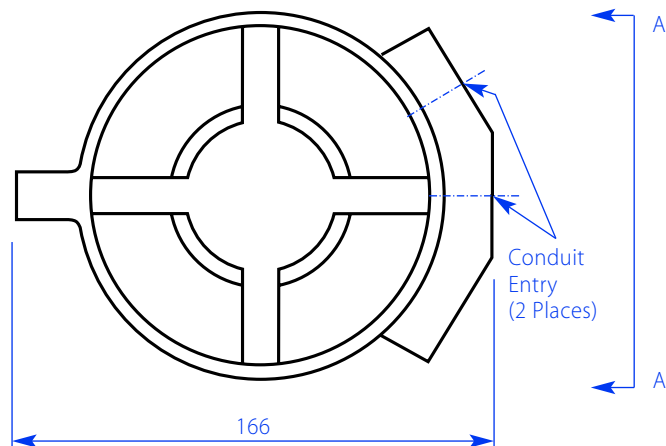
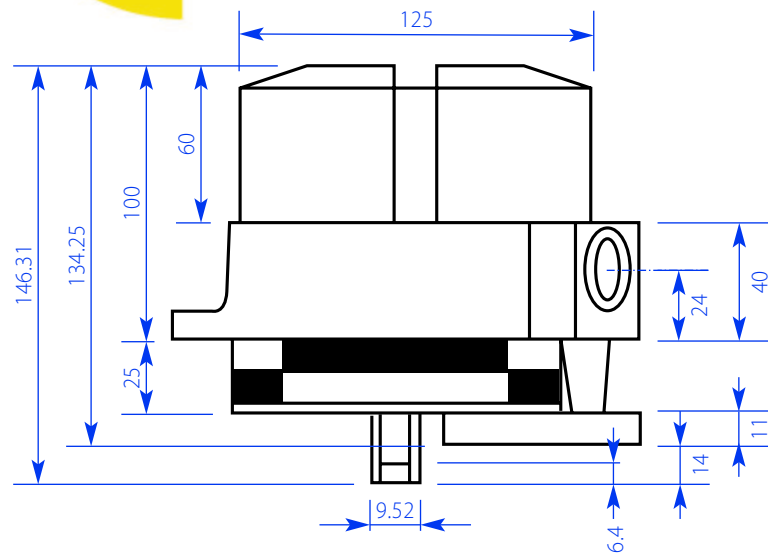


22 Chapman Way, Tunbridge Wells, Kent, England TN2 3EF
 Tel: **+44 (0) 1892 516277**
 Fax: **+44 (0) 1892 516279**
 Email: sales@westlockuk.com
 www.westlockuk.com

Accutrak 2600 Series

Aluminium EExd IIC Explosionproof

Dimensions



WESTLOCK
CONTROLS LIMITED



22 Chapman Way, Tunbridge Wells, Kent, England TN2 3EF
Tel: **+44 (0) 1892 516277**
Fax: **+44 (0) 1892 516279**
Email: sales@westlockuk.com
www.westlockuk.com