

Accutrak 2200 Series

Aluminium EExd IIB Explosionproof

Technical Information

The AccuTrak 2200 Series Monitor is designed to enable the process engineer to add as much feedback from a control valve as the situation requires. The EExd IIB rated aluminium enclosure is equipped as standard with two switches/sensors (can fit upto 6 switches/sensors where application requires)

and a Beacon High Visibility Indicator for instant recognition of valve position up to distances of 50m. A unique self-locking, spring loaded TouchSet cam mechanism allows for instantaneous hand setting of limit switches within seconds. A pre-wired numbered and colour coded terminal block provides ease and convenience of wiring. Optional analogue transmitters provide full range monitoring of valve position throughout a 0-100% range.

Certified Options Available

- Beacon , Flat or High Covers
- Standard Height - Black / Yellow, Red / White, Blue / White, Green / White, 3 Way Flow Path Beacon Indicators, Various Languages
- M20, M25, 3/4" NPT Conduit Entry Options
- 2 or 4 Position Conduit Entries
- 1, 2, 3, 4, 5 or 6 x V3 Mechanical Switches SPDT Contacts
- 1, 2, 3 or 4 x DPDT Mechanical Switches
- 1, 2, 3, 4, 5 or 6 x V3 Inductive Proximity Sensors
- 1, 2, 3, 4, 5 or 6 x Magnum XT90 Hermetically Sealed Proximity SPDT Contacts
- Various other types of Switches and Sensors dependent on size – Please check with Office
- Namur or Westlock Standard Shaft
- Terminal Strips – Weco, Klippon , Kulka or Bosha
- 4-20Ma Transmitter for Position Feedback (CS)
- 10K Ohm Potentiometer for Resistive Signal (RS)

Technical Specifications

● ENCLOSURE

Material Specification	A360 (0.2% Copper Max) LM9
Finish	Irridited with Two Pack Polyurethane Enamel – Type F63 B13
Enclosure Temperature (Operating)	-40°C to +82°C
Certification Ambient	-20°C to +40°C

● BEACON INDICATOR

Material Specification	Ektar Copolyester
Temperature Limits	-40°C to +82°C

● SHAFT

Material Specification	303 Stainless Steel or optional 316 Stainless Steel
------------------------	--

● SENSORS/SWITCHES

– V3 Mechanical Switches SPDT

Electrical Rating (SPDT):

15amps / 125/250VAC

.5amps / 125VDC

6amps / 24VDC

.25amps / 250VDC

5amps / 125VAC

Operating Temperature:

-25°C to +148°C

Hysteresis:

3%

– DPDT Mechanical Switch

Electrical Rating (DPDT):

10amps / 125VAC

10amps / 250VAC

Operating Temperature:

-25°C to +148°C

Hysteresis:

5%

– Pepperl & Fuchs (NJ2-V3-N)

Input Voltage Range:

5 – 25VDC



Accutrak 2200 Series

Aluminium EExd IIB Explosionproof

Technical Information Continued

Output / Current Consumption:

≥1Ma - ≤3ma

Nominal Voltage:

8VDC

Switching Frequency:

1 KHz

Operating Temperature:

-25°C to +100°C

Hysteresis:

1%

- Magnum XT90 Hermetically Sealed

Electrical Rating:

3amps / 120VAC

1.5amps / 240VAC

2amps / 24VDC

Operating Temperature:

-29°C to +93°C

Hysteresis:

6%

● TERMINAL STRIP

- Type	WECO Series 300 type 302
- Material Specification	Polymide
- Nominal Cross Section	1.5mm ²
- Wire Tripping Length	5mm

● O-RINGS/GASKETS

- Material Specification	Buna N
--------------------------	--------

● CIRCLIPS & FASTENERS

- Material Specification	Stainless Steel
--------------------------	-----------------

● CERTIFICATION APPLICABLE



Certificate Number:	DEMKO 03 ATEX 134361X	
Approval Detail:	Ex II 2 G D EExd IIB T4-T6	T80°C
Ambient Temperature	-20°C ≤ Tamb ≤ 80°C	T4
	-20°C ≤ Tamb ≤ 60°C	T5
	-20°C ≤ Tamb ≤ 40°C	T6

● NORTH AMERICAN EQUIVALENT UNITS

Model Numbers	2007X, 9479
---------------	-------------

WESTLOCK

CONTROLS LIMITED

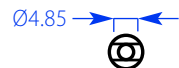
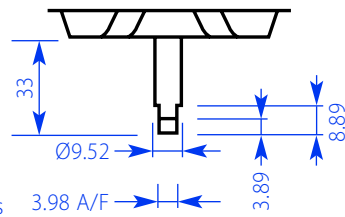
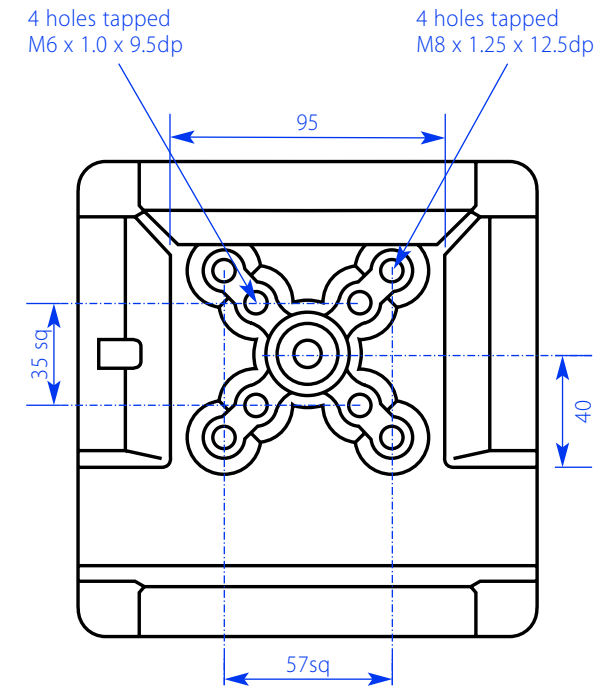
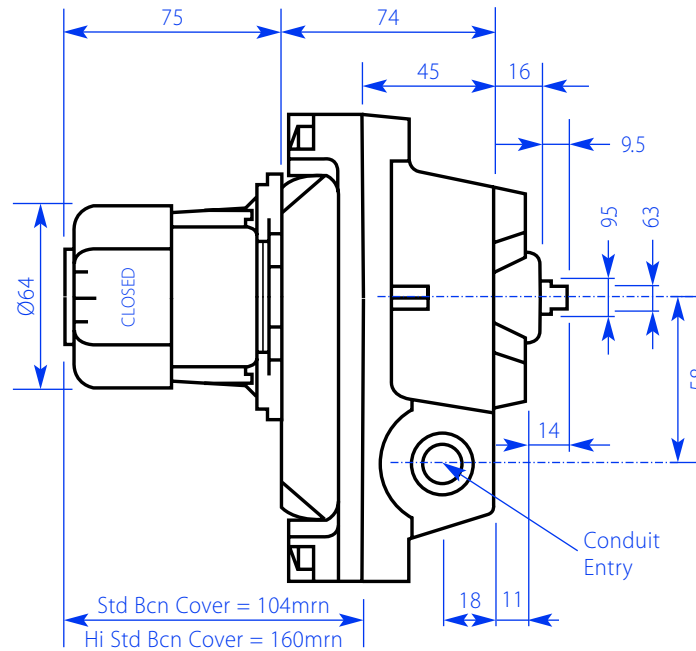
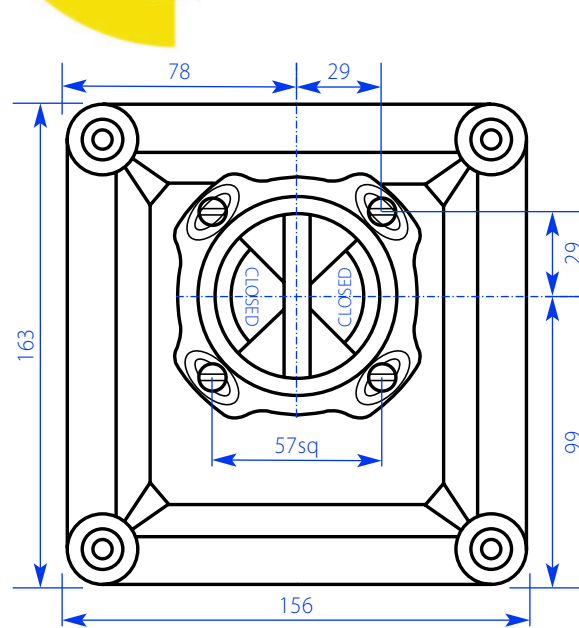


22 Chapman Way, Tunbridge Wells, Kent, England TN2 3EF
 Tel: **+44 (0) 1892 516277**
 Fax: **+44 (0) 1892 516279**
 Email: sales@westlockuk.com
www.westlockuk.com

Accutrak 2200 Series

Aluminium EExd IIB Explosionproof

Dimensions



WESTLOCK
CONTROLS LIMITED



22 Chapman Way, Tunbridge Wells, Kent, England TN2 3EF
Tel: **+44 (0) 1892 516277**
Fax: **+44 (0) 1892 516279**
Email: sales@westlockuk.com
www.westlockuk.com